

CL - xx - xPx - P - xx - S - R - 000 - N - xx - A - x - A - x

| REVISION | DESCRIPTION | DATE | DESIGN | APPROVED |
|----------|---|-----------|------------------------|------------------------|
| D | OPENING WxH + HEIGHT FOR 9P6 CHANGED. DIMENSIONS IN C, D, Ext+7 COLUM UPDATED | 10.4.2018 | MAM <i>[Signature]</i> | VPA <i>[Signature]</i> |

| Hood body construction | |
|------------------------|--------------------|
| SW | SteelWhite RAL9010 |
| S4 | SS 304 |
| S6 | SS 316L |

| Filter front size | |
|-------------------|----------|
| 3P3 | 305x305 |
| 4P4 | 457x457 |
| 5P5 | 508x508 |
| 6P6 | 610x610 |
| 11P5 | 1108x508 |
| 12P6 | 1220x610 |

| Filter frame height | |
|---------------------|------------|
| MD-66 | (Standard) |
| MX-90 | |
| MG-110 | |

| Air inlet size | | |
|----------------|---------|----------------|
| Type | Dim. | available for: |
| 000 | 200x100 | 3P3 |
| 000 | 200x200 | 3P6 |
| 000 | 350x150 | 3P6, 4P4 |
| 000 | 400x150 | 5P5 |
| 000 | 400x200 | 11P5, 12P6 |
| 000 | 500x150 | 6P6, 11P5 |
| 000 | 600x200 | 9P6 |
| 000 | 800x150 | 12P6 |

| Entry pos. | |
|------------|------------|
| 00 | All square |
| LS | Long Side |
| SS | Short Side |

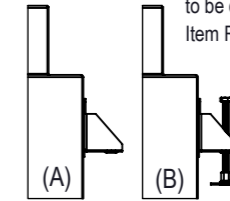
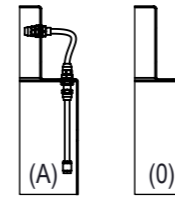
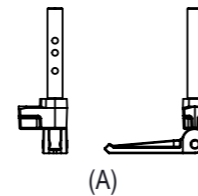
| Filter clamping | | |
|-----------------|---|--------------------------|
| X | A | Standard clamp tool free |

| dp Pressure port | |
|------------------|--------------------------|
| A | 1 Set mounted (Standard) |
| 0 | None |

| Universal support | | |
|-------------------|---|---------------|
| X | A | Brackets only |

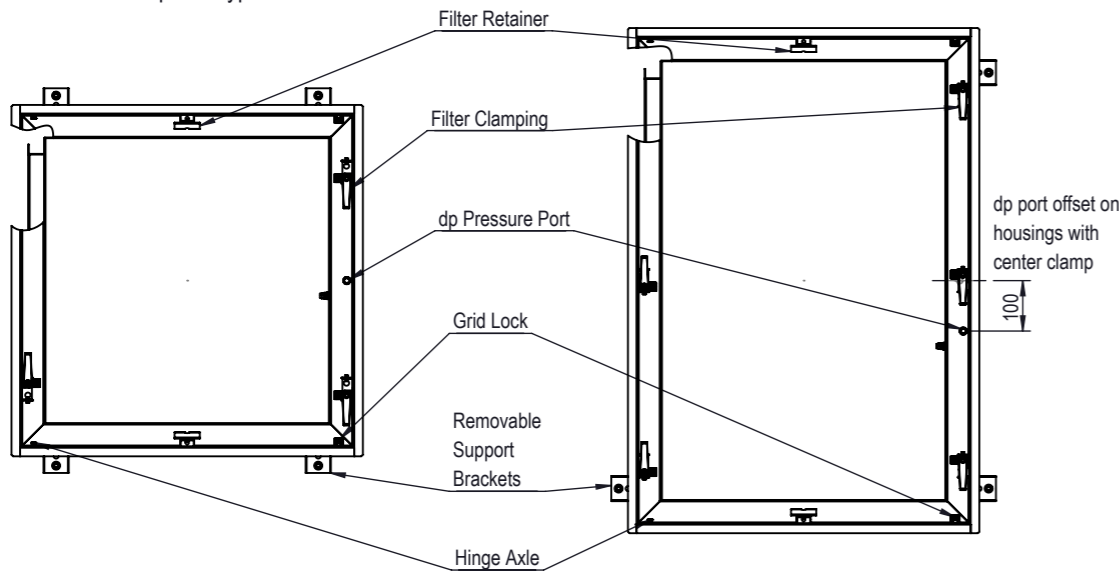
Other accessories

Option B
Pressure screw kit for
1 housing (4x)
to be ordered separately
Item Ref. F8 000 000 2

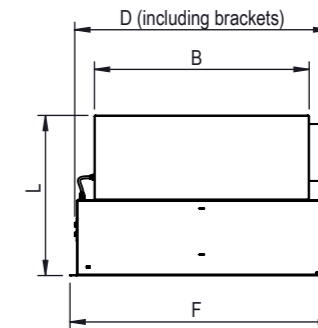
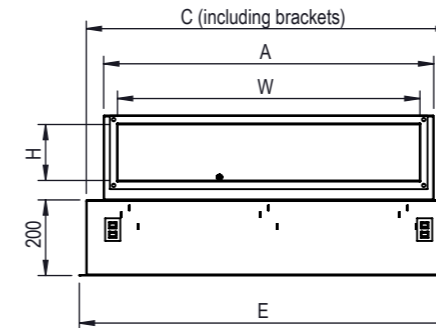


Square Type

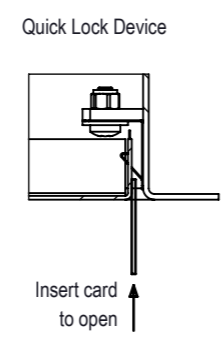
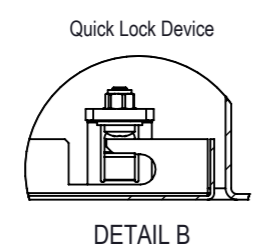
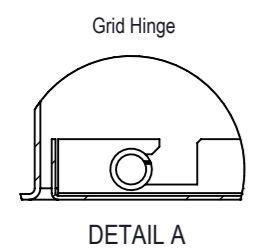
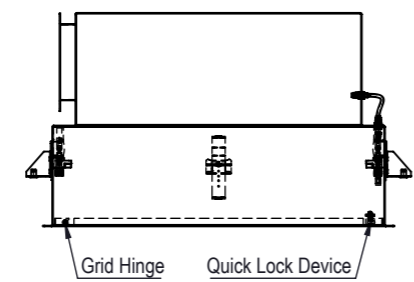
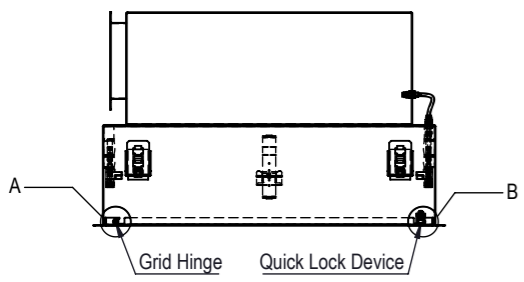
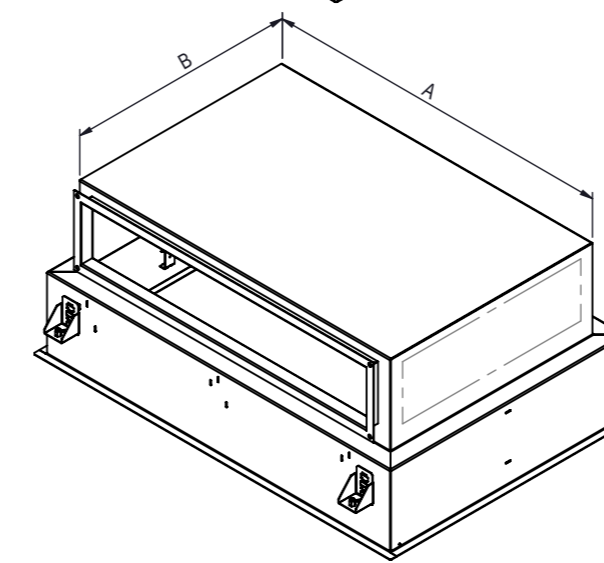
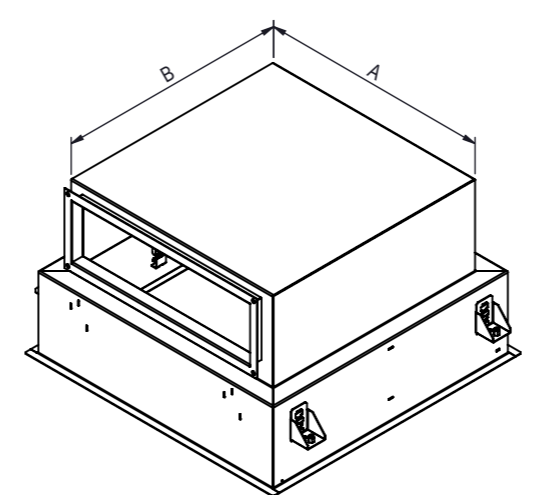
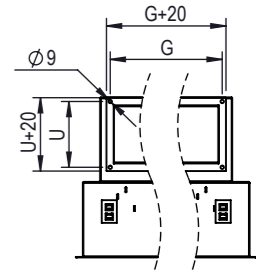
Rectangular Type



Schematic Housing FootPrint



Air Inlet Detail



| Opening WxH | Model type | Installation | | | | | | | | | | GxU |
|--------------|-------------------------|--------------|------|-----|------|-----|------|------|---------|-------------|-----|-----|
| | | L | A | B | C | D | E | F | Ext + 7 | Holes Dist. | | |
| 3P3 200x100 | CL-3P3-P-xx-S-R-000 | 374 | 263 | 263 | 367 | 355 | 392 | 392 | 374 | 374 | 220 | 126 |
| 3P6 350x100 | CL-3P6-P-xx-S-R-000-LS | 374 | 568 | 263 | 660 | 367 | 697 | 392 | 667 | 374 | 370 | 126 |
| 200x200 | CL-3P6-P-xx-S-R-000-SS | 474 | 568 | 263 | 660 | 367 | 697 | 392 | 667 | 374 | 220 | 226 |
| 4P4 350x150 | CL-4P4-P-xx-S-R-000 | 424 | 415 | 415 | 519 | 507 | 544 | 544 | 526 | 526 | 370 | 176 |
| 5P5 400x150 | CL-5P5-P-xx-S-R-000 | 424 | 466 | 466 | 570 | 558 | 595 | 595 | 577 | 577 | 420 | 176 |
| 6P6 500x150 | CL-6P6-P-xx-S-R-000 | 424 | 568 | 568 | 672 | 660 | 697 | 697 | 679 | 679 | 520 | 176 |
| 9P6 600x200 | CL-9P6-P-xx-S-R-000-LS | 474 | 873 | 568 | 965 | 672 | 1002 | 697 | 972 | 679 | 820 | 176 |
| 9P9 500x200 | CL-9P9-P-xx-S-R-000 | 474 | 873 | 873 | 977 | 965 | 1002 | 1002 | 984 | 984 | 520 | 226 |
| 11P5 400x200 | CL-11P5-P-xx-S-R-000-SS | 474 | 1066 | 466 | 1158 | 570 | 1195 | 595 | 1165 | 577 | 420 | 226 |
| 800x150 | CL-11P5-P-xx-S-R-000-LS | 424 | 1066 | 466 | 1158 | 570 | 1195 | 595 | 1165 | 577 | 820 | 176 |
| 500x200 | CL-12P6-P-xx-S-R-000-SS | 474 | 1178 | 568 | 1270 | 672 | 1307 | 697 | 1277 | 679 | 520 | 226 |
| 800x150 | CL-12P6-P-xx-S-R-000-LS | 424 | 1178 | 568 | 1270 | 672 | 1307 | 697 | 1277 | 679 | 820 | 176 |

Product String: CL - _ - _ P - _ - P - _ - S - R - 000 - N - _ - - A - _ - A - _

Approved
 Approved as noted
 Revise and Resubmit

NAME: _____ SIGNATURE: _____
 COMPANY: _____ DATE: _____

DESCRIPTION: CleanSeal - PU - Side Rectangular

PROJECT: _____ LAST REVISION: 10.4.2018 WEIGHT: _____
 DRAWING REF.: Customer Drawing - CL-P-S-R SHEET: 1/1 SIZE: A3 SCALE: _____

NB: The copyright of this drawing remains with Camfil. Contents must not be used, copied or disclosed to third parties without prior written consent. All rights reserved.